

Before using your air conditioner, please read this manual carefully and keep it for future reference.

INVERTER SPLIT-TYPE ROOM AIR CONDITIONER

USER'S MANUAL

Read This Manual

Inside you will find many helpful hints on how to use and maintain your air conditioner properly. Just a little preventative care on your part can save you a great deal of time and money over the life of your air conditioner. You'll find many answers to common problems in the chart of troubleshooting tips. If you review the chart of Troubleshooting Tips first, you may not need to call for service.

CONTENTS

SOCIABLE REMARK

Sociable remark.....	2
----------------------	---

SAFETY PRECAUTIONS

Warning	3
Caution	4

OPERATING INSTRUCTIONS

Parts names	5
Special function.....	6
Operating temperature.....	7
Manual operation.....	7
Airflow direction control	8
How the air conditioner works	9

MAINTENANCE

Maintenance	10
-------------------	----

TROUBLESHOOTING TIPS

Troubleshooting tips	12
Normal function of the air conditioner	13

CAUTION

- Contact an authorised service technician for repair or maintenance of this unit.
- Contact the installer for installation of this unit.
- The air conditioner is not intended for use by young children or invalids without supervision.
- Young children should be supervised to ensure that they do not play with the air conditioner.
- If the power cord is to be replaced, replacement work shall be performed by authorised personnel only.
- Installation work must be performed in accordance with the national wiring standards by authorised personnel only.

SOCIABLE REMARK

When using this air conditioner in the European countries, the follow information must be followed:

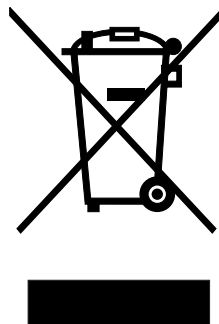
DISPOSAL: Do not dispose this product as unsorted municipal waste. Collection of such waste separately for special treatment is necessary.

It is prohibited to dispose of this appliance in domestic household waste.

For disposal, there are several possibilities:

- A) The municipality has established collection systems, where electronic waste can be disposed of at least free of charge to the user.
- B) When buying a new product, the retailer will take back the old product at least free of charge.
- C) The manufacture will take back the old appliance for disposal at least free of charge to the user.
- D) As old products contain valuable resources, they can be sold to scrap metal dealers.



Wild disposal of waste in forests and landscapes endangers your health when hazardous substances leak into the ground-water and find their way into the food chain.





SAFETY PRECAUTIONS

To prevent injury to the user or other people and property damage, the following instructions must be followed. Incorrect operation due to ignoring of instructions may cause harm or damage.


- The seriousness is classified by the following indications.

 WARNING	This symbol indicates the possibility of death or serious injury.
 CAUTION	This symbol indicates the possibility of injury or damage to property.


- Meanings of symbols used in this manual are as shown below.

	Never do this.
	Always do this.

WARNING

 **Connect with the power properly.**


- Otherwise, it may cause electric shock or fire due to excess heat generation.

 **Do not operate or stop the unit by switching on or off the power.**

- It may cause electric shock or fire due to heat generation.

 **Do not damage or use an unspecified power cord.**

- It may cause electric shock or fire.

 **Do not modify power cord length or share the outlet with other appliances**


- It may cause electric shock or fire due to heat generation.

 **Do not operate with wet hands or in damp environment.**

- It may cause electric shock.

 **Do not direct airflow at room occupants only.**


- This could damage your health.

 **Always ensure effective earthing.**


- No earthing may cause electric shock.

 **Do not allow water to run into electric parts.**

- It may cause failure of machine or electric shock.

 **Always install circuit breaker and a dedicated power circuit.**


- No installation may cause fire and electric shock.

 **Disconnect the power if strange sounds, smell, or smoke comes from it.**


- It may cause fire and electric shock.

 **Do not drink water drained from air conditioner.**

- It contains contaminants and could make you sick.

 **Do not open the unit during operation.**


- It may cause electric shock.

 **Use the correctly rated breaker or fuse.**


- There is risk of fire or electric shock.

 **Do not use the power cord close to heating appliances**

- It may cause fire and electric shock.

 **Do not use the power cord near flammable gas or combustibles, such as gasoline, benzene, thinner, etc.**

- It may cause an explosion or fire.

 **Ventilate room before operating air conditioner if there is a gas leakage from another appliance.**

- It may cause explosion, fire and, burns.

 **Do not disassemble or modify unit.**

- It may cause failure and electric shock.

SAFETY PRECAUTIONS

⚠ CAUTION

ⓘ When the air filter is to be removed, do not touch the metal parts of the unit.

- It may cause an injury.

ⓘ Do not clean the air conditioner with water.

- Water may enter the unit and degrade the insulation. It may cause an electric shock.

ⓘ Ventilate the room well when used together with a stove, etc.

- An oxygen shortage may occur.

ⓘ When the unit is to be cleaned, switch off, and turn off the circuit breaker.

- Do not clean unit when power is on as it may cause fire and electric shock, it may cause an injury.

ⓘ Do not put a pet or house plant where it will be exposed to direct air flow.

- This could injure the pet or plant.

ⓘ Do not use for special purposes.

- Do not use this air conditioner to preserve precision devices, food, pets, plants, and art objects. It may cause deterioration of quality, etc.

ⓘ Stop operation and close the window in storm or hurricane.

- Operation with windows opened may cause wetting of indoor and soaking of household furniture.

ⓘ Do not place obstacles around air-inlets or inside of air-outlet.

- It may cause failure of appliance or accident.

ⓘ Turn off the main power switch when not using the unit for a long time.

- It may cause failure of product or fire.

ⓘ Do not use strong detergent such as wax or thinner. Use a soft cloth for cleaning.

- Appearance may be deteriorated due to change of product color or scratching of its surface.

ⓘ Ensure that the installation bracket of the outdoor appliance is not damaged due to prolonged exposure.

- If bracket is damaged, there is concern of damage due to falling of unit.

ⓘ Always insert the filters securely. Clean filter once every two weeks.

- Operation without filters may cause failure.

ⓘ Do not place heavy object on the power cord and take care so that the cord is not compressed.

- There is danger of fire or electric shock.

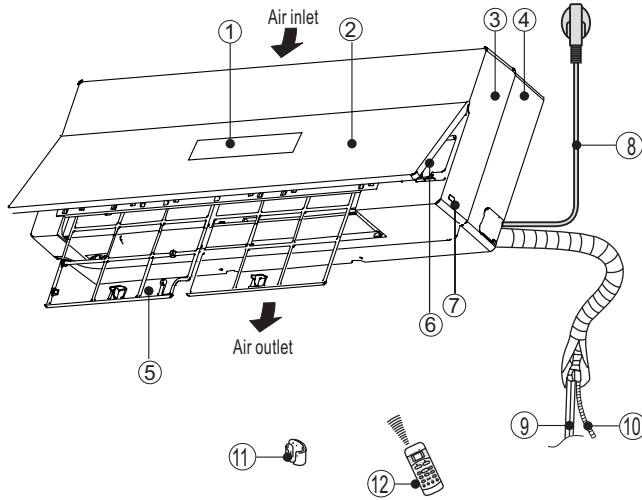
ⓘ Use caution when unpacking and installing. Sharp edges could cause injury.

ⓘ If water enters the unit, turn the unit off and disconnect the power, contact a qualified service technician.

OPERATING INSTRUCTIONS

Parts names

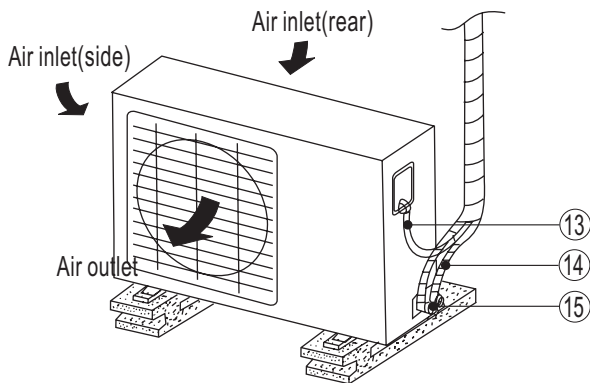
Indoor unit



Indoor unit

1. Display window
2. Front panel
3. Panel frame
4. Chassis
5. Air filter
6. Panel brace
7. Manual control button
8. Power cord
9. Connecting pipe
10. Drain hose
11. Remote controller holder
12. Remote controller

Outdoor unit



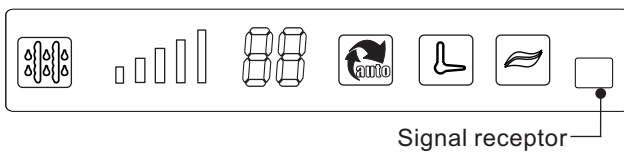
Outdoor unit

13. Connecting cable
14. Connective pipe
15. Stop valve

NOTE:

All the pictures in this manual are for explanation purpose only. Your air conditioner may be slightly different. The actual shape shall prevail.

Display window



Signal receptor



DEFROST operation display

Displayed when the air conditioner starts defrosting automatically or when the warm air control feature is activated in heating operation.



Operation Frequency display

This display is separated into five zones. The zones illuminate based on the compressor current frequency. For example, higher frequency will illuminate more zones.

OPERATING INSTRUCTIONS



DIGITAL DISPLAY

Displays the current setting temperature and malfunction code when the air conditioner is in operation. When SELF CLEAN feature is activated, it displays "SC"



AUTO operation display

Displayed during Auto operation.



TIMER display

Displayed during Timer operation.



CLEAN AIR display(optional)

Displayed when CLEAN AIR feature is activated.

Special feature

CLEAN AIR function(optional)

Air quality is the key to comfort, this air conditioner is equipped with Ionizer or Plasma Dust Collector(Depending on models). Ionizer can generate abundant anions to fill the room with refreshing and nature air. Your whole family will enjoy a natural, pure and healthy air everyday. The Plasma Dust Collector can generate an ionization zone. The air is converted to plasma as it passes the high voltage ion generator. 95% of the dust, smoke, and pollen particles are attracted to the electrostatic filter.

Follow Me function

The remote control serves as a remote thermostat allowing for the precise temperature control at its location.

To activate the Follow Me feature, point the remote control towards the unit and press the Follow Me button. The remote display is actual temperature at its location. The remote control will send this signal to the air conditioner every 3 minutes interval until press the Follow Me button again. If the unit does not receive the Follow Me signal during any 7 minute interval, the unit will beep to indicate the Follow Me mode has ended.

Auto-Restart function

When the power is off and then on, the unit automatically restores the previous function setting.

SELF CLEAN function(optional)

- Function used after the Shut Down of cooling operation to clean the Evaporator and keep it as fresh for the next operation.
- This function is easy to be operated as it is accessed through the Remote Controller.

Note:

- This function is only available under COOL(AUTO COOL, FORCED COOL)and DRY mode.
- Before select the function, it is recommended to run the air conditioner under Cooling operation for about half an hour.
- Once the Self Clean function is activated, all TIMER setting will be cancelled.
- During Self Clean operation, when press the SELF CLEAN button on the remote controller again will stop the operation and turn off the unit.

Dry & Antibacterial Function(optional)

- When turns off the unit on COOL, DRY, AUTO (Cool) mode, the air conditioner will continue operating for 7 minutes at soft fan speed. This will help to dry up the water (sweating) inside the evaporator, and prevent bacterial from multiplying, supply clean and fresh air.
- This function is a factory default setting. If you want to cancel it, use the remote controller to select the FAN mode, press the ON/OFF button to turn on the unit, press the ON/OFF button again to turn off the unit after 5 seconds.
- Under DRY & Antibacterial mode, do not restart the air conditioner until the unit is completely off.

OPERATING INSTRUCTIONS

NOTE: This manual does not include Remote Controller Operations, see the <<Remote Controller Instruction>> packed with the unit for details.

Operating temperature

Mode	Cooling operation	Heating operation	Drying operation
Room temperature	$\geq 17^{\circ}\text{C}$	$\leq 30^{\circ}\text{C}$	$> 10^{\circ}\text{C}$
Outdoor temperature	$0^{\circ}\text{C} \sim 50^{\circ}\text{C}$	$-15^{\circ}\text{C} \sim 34^{\circ}\text{C}$	$0^{\circ}\text{C} \sim 50^{\circ}\text{C}$
	($-15^{\circ}\text{C} \sim 50^{\circ}\text{C}$:For the models with low temperature cooling system)		

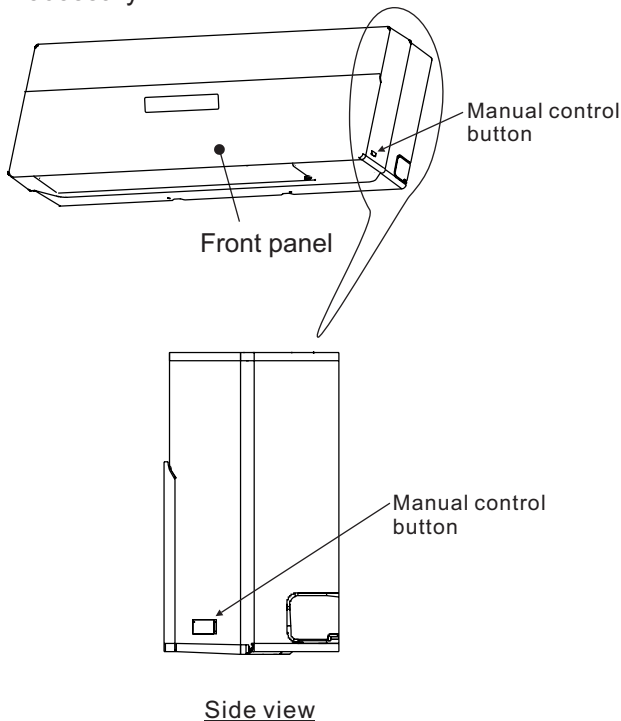
CAUTION:

1. If air conditioner is used outside of the above conditions, certain safety protection features may come into operation and cause the unit to function abnormally.
2. Room relative humidity less than 80%. If the air conditioner operates in excess of this figure, the surface of the air conditioner may attract condensation. Please sets the vertical air flow louver to its maximum angle (vertically to the floor), and set HIGH fan mode.
3. Optimum performance will be achieved within these operating temperature.

Suggestion: For the unit adopts an Electric Heater, when the outside ambient temperature is below 0°C , we strongly recommend you to keep the machine plugged in order to guarantee it running smoothly.

Manual operation

Manul operation can be used temporarily in case the remote controller is disable or maintenance necessary.



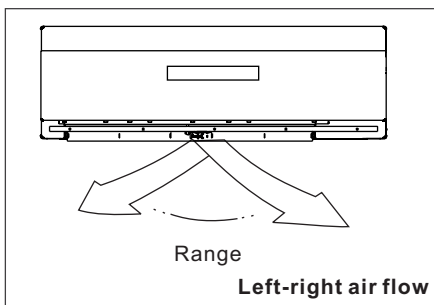
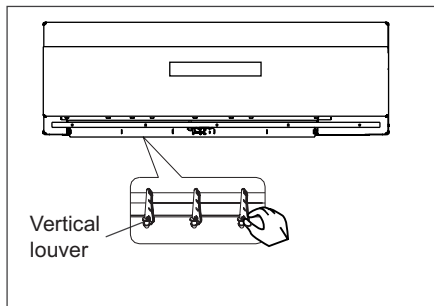
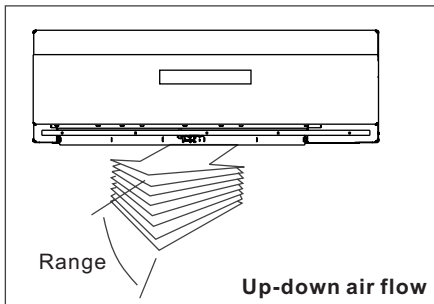
NOTE: The unit must be turned off before operating the manual control button. If the unit is operational, continue pressing the manual control button until the unit is off.

- ① For the convenience of operation, the manual control button is designed on the right side of the panel frame.
- ② One press of the manual control button will lead to the forced AUTO operation. If press the button twice within five seconds, the unit will operate under forced COOL operation.

CAUTION:

- This button is used for testing purposes only. You had better not choose it.
- To restore the remote controller operation, use the remote controller directly.

Airflow direction control



- Adjust the air flow direction properly otherwise, it might cause discomfort or cause uneven room temperatures.
- Adjust the horizontal louver using the remote controller.
- Adjust the vertical louver manually.

To set the vertical air flow(Up--Down) direction

Perform this function while the unit is in operation. Use the remote controller to adjust the air flow direction. The horizontal louver can be moved at a angle of 6° for each press or set to move up and down automatically. Please refer to the 'REMOTE CONTROLLER OPERATION MANUAL' for details.

To set the horizontal air flow direction (left - right)

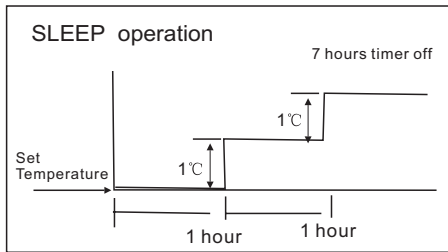
Adjust the vertical louver manually using the lever on the left or right side of the vertical louver arm (Depending on model). Take care not to catch fingers on the fan, horizontal louver or to damage vertical louvers. When the air conditioner is in operational and the horizontal louver is in a specific position, move the lever at left (or right, depending on model) end of the air outlet to the desired position.

CAUTION

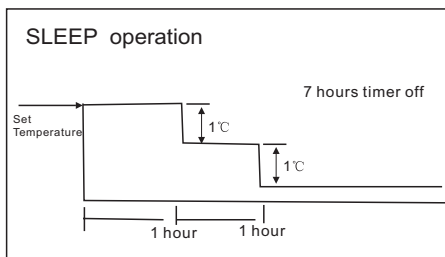
- The DIRECTION/SWING button will be disabled when the air conditioner is not in operation(including when the TIMER ON is set).
- Do not operate the air conditioner for long periods with the air flow direction set downward in cooling or dry mode. Otherwise, condensation may occur on the surface of the horizontal louver causing moisture to drop on to the floor or on furnishings.
- Do not move the horizontal louver manually. Always use the DIRECTION/SWING button. If you move this louver manually, it may malfunction during operation. If the louver malfunctions, stop the air conditioner once and restart it.
- When the air conditioner is started immediately after it was stopped, the horizontal louver might not move for approximately 10 seconds.
- Open angle of the horizontal louver should not be set too small, as COOLING or HEATING performance may be impaired due to too restricted air flow area.
- Do not operate unit with horizontal louver in closed position.
- When the air conditioner is connected to power (initial power), the horizontal louver may generate a sound for 10 seconds, this is a normal operation.

OPERATING INSTRUCTIONS

How the air conditioner works



Cooling



Heating

AUTO operation

- When you set the air conditioner in AUTO mode, it will automatically select cooling, heating (cooling/heating models only), or fan only operation depending on what temperature you have selected and the room temperature.
- The air conditioner will control room temperature automatically around the temperature point set by you.
- If the AUTO mode is uncomfortable, you can select desired conditions manually.

SLEEP operation

When you push SLEEP button on remote controller during cooling, heating (cooling only type without), or AUTO operation, the air conditioner will automatically increase (cooling) or decrease (heating) 1°C per hour for the first two hours, then hold steady for the next 5 hours, after that the unit will stop operation. The fan speed will be automatically controlled. This feature can maintain the most comfortable temperature and save more energy for you.

DRYING operation

- The fan speed will be automatically controlled under dry operation.
- During the dry operation, if the room temperature is lower than 10°C, the compressor stops operation and restarts until the room temperature is above 12°C.

Optimal operation

To achieve optimal performance, please note the following:

- Adjust the air flow direction correctly so that it is not directed on people.
- Adjust the temperature to achieve the highest comfort level. Do not adjust the unit to excessive temperature levels.
- Close doors and windows on COOL or HEAT modes, or performance may be reduced.
- Use TIMER ON button on the remote controller to select a time you want to start your air conditioner.
- Do not put any object near air inlet or air outlet, as the efficiency of the air conditioner may be reduced and the air conditioner may stop running.
- Clean the air filter periodically, otherwise cooling or heating performance may be reduced.
- Do not operate unit with horizontal louvre in closed position.

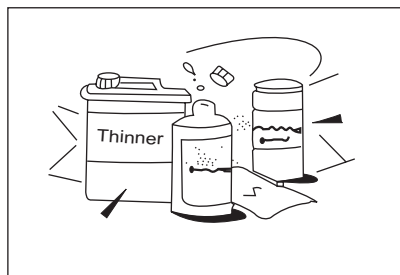
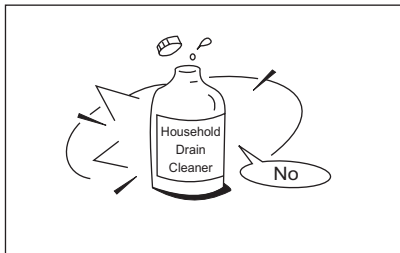
MAINTENANCE

Maintenance

The units are designed to operate for long periods of time with a minimum of maintenance. However, the following operation must be performed regularly.

Items	Maintenance operations	Recommended frequency
Air filter	Clean	Every month or more often if necessary
Air freshening filter	Change/replace a new one	Every 4 months
Unit casing	Clean	Every month or more often if necessary
Water tray and evacuation piping	Clean and check for obstructions	Each season before start up*
Indoor/outdoor coils	Clean	Each season before start up*
Compressor	No need	

* This operation must be performed by qualified personnel only.



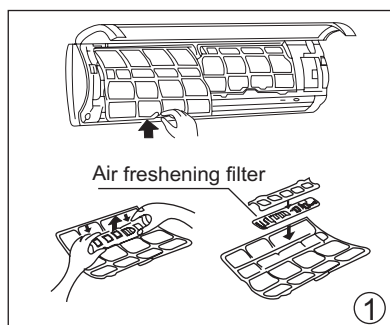
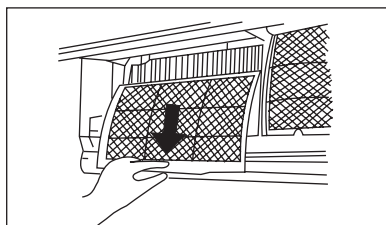
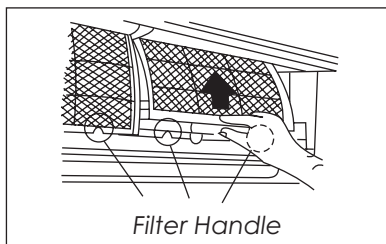
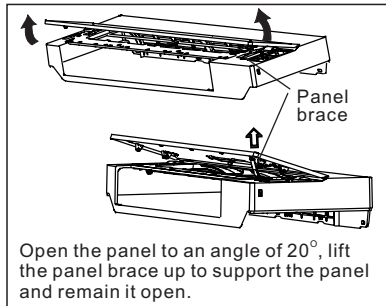
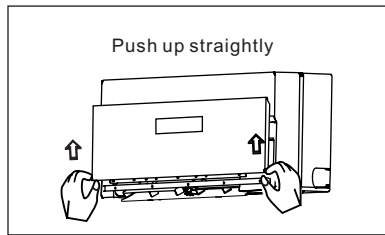
NOTE: Supply power must be disconnected before cleaning the indoor unit.

Cleaning the Grille, Case and Remote Controller

- Switch the system off before cleaning. To clean, wipe with a soft dry cloth. Do not use bleach or abrasives.

CAUTIONS

- A cloth soaked in warm water may be used on the indoor unit if it is very dirty. Then wipe it with a dry cloth.
- Do not use a chemically treated cloth or duster to clean the unit.
- Do not use benzene, thinner, polishing powder, or similar solvents for cleaning. These may cause the plastic surface to crack or deform.
- Never use water hotter than 40°C to clean the front panel, it could cause deformation or discoloration.



Cleaning the air filter

NOTE: Supply power must be disconnected before cleaning the indoor unit.

A clogged air filter reduces the cooling efficiency of this unit. Please clean the filter every month or more often if necessary.

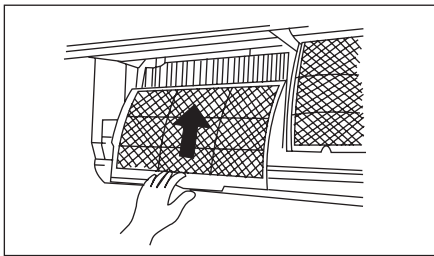
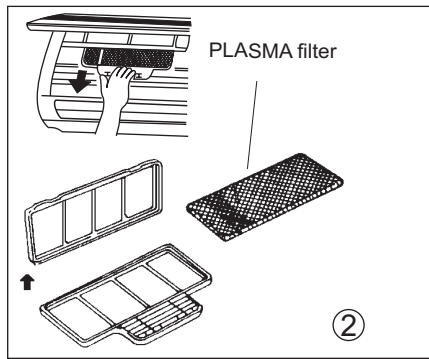
1. Push the front panel up straightly, then lift it upward to an angle of about 20°, do not force to open it more larger.
 2. Use the panel brace to support the front panel and remain it open as shown in the picture.
 3. Take hold of the handle of the air filter and lift it up slightly to take it out from the filter holder, then pull it downwards.
 3. Remove the AIR FILTER from the indoor unit.
 - Clean the AIR FILTER with a vacuum cleaner or water, then dry it up in cool place.
 4. Remove the **Air Freshening Filter**(Optional filter included: Plasma Dust Collector/Silver Ion filter / Bio filter /Vitamin C filter/3M air purifier filter) from its support frame.(The removing and installation method are slightly difference, see the pictures marked ① and ② on the left.
 - Clean the air freshening filter at least once a month, and replace it every 4-5 months.
 - Clean it with vacuum cleaner, then dry it in cool place.
- ⚠ Do not touch the Plasma Dust Collector Filter within 10 minutes after opening the front panel, it may cause an electric shock.**
5. Install the air freshening filter back into position.
 6. Insert the upper portion of air filter back into the unit, taking care that the left and right edges line up correctly and place filter into position. For the filters with gaps on the edges, please make sure the filter is completely fixed and locked in the filter holder.

Maintenance

If the air conditioner is not going to be used for some period of time:

- (1) Let the fans run for 3~4 hours to allow the device to completely dry out.
- (2) Switch off the device and pull the power plug. Remove the batteries from the remote controller.
- (3) The outdoor unit requires periodic maintenance and cleaning. Do not attempt to do this yourself. Contact your dealer or servicer.

TROUBLESHOOTING TIPS



Checks before operation

- Check that the wiring is not broken off or disconnected.
- Check that the air filter is installed.
- Check if the air outlet or inlet is blocked after the air conditioner has not been used for a long time.

⚠ Caution

- Do not touch the metal parts of the unit when removing the filter. Injuries can occur when handling sharp metal edges.
- Do not use water to clean inside the air conditioner. Exposure to water can destroy the insulation, leading to possible electric shock.
- When cleaning the unit, first make sure that the power and circuit breaker are turned off.

Troubleshooting Tips

Before you ever contact customer services, check the following first:

The air conditioner does not start. Check the following:

1. Is voltage present at the plug socket outlet?
2. Check the plug fuse!
3. Is the timer set?

The air conditioner does not provide satisfactory cooling. Check the following:

1. Has an appropriate temperature been set?
2. Is the air filter soiled? Clean and fit back in place.
3. Are the inlets and outlets on the outdoor unit blocked?
4. Are the doors and windows closed?

The remote controller does not work. Check the following:

1. Important! It only works within a range of 8m from the indoor unit.
2. Are the batteries still OK? Replace if necessary!
3. Have the batteries been inserted correctly? Check that the + and - terminals are correct!

Stop the air conditioner immediately if one of the following faults occur. Disconnect the power and contact your service center.

1. Operation indicator or other indicators flash rapidly (5 times every second) and this flash can not be stopped by disconnecting the power and then connecting it in again.
2. Fuse blows frequently or circuit breaker trips frequently.
3. Other objects or water penetrate the air conditioner.
4. If one of the malfunction codes appears on the display window: E0, E1, E2, E3, E5, E6, P0, P1, P2, P3 or P4.
5. Other abnormal situations.

Normal function of the air conditioner

The following symptoms do not indicate air conditioner malfunction.

Problem	Cause
After pressing the start key, the unit is not started by the microprocessor for 3 minutes.	It is for the protection of the compressor, please wait .
Low noise can be heard	The crackling noises are caused by the contraction and expansion of the front panel in response to temperature differences.
	The clicking noise may be heard caused by fan or the compressor when switching on or off.
	You may hear moving water. This is not a fault. The refrigerant in the air conditioner may have expanded.
Odd smell in the room	The air conditioner also circulates the transpiration from the walls, carpets, smoke, furniture and clothing in the air.
Water drops from the indoor unit	Dripping water may generate on the surface of the indoor unit when cooling in a high relative humidity (RH more than 80%). Adjust the horizontal louver to the maximum air outlet position and select HIGH fan speed.
Air is not blown out immediately in heat mode.	The unit is designed not to blow cold air on HEAT mode, when the indoor heat exchanger is in one of the following three situations and the set temperature has not been reached. A) When heating has just starting. B) Defrosting. C) Low temperature heating. The indoor or outdoor fan stop running when defrosting (Cooling and heating models only).
The unit turns to Fan mode from cool or heat mode automatically	When room temperature reaches the temperature setting on air conditioner, the compressor will stop automatically, and the air conditioner turns to FAN only mode. The compressor will start again when the room temperature rises on COOL mode or falls on HEAT mode (For cooling & heating models only) to the set point.

CS494-U
202000192029